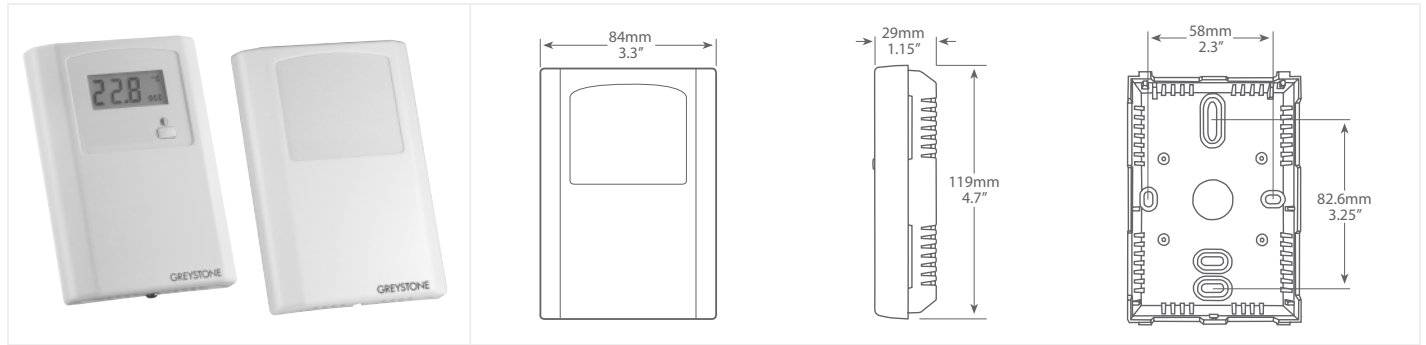




HIGH ACCURACY ROOM HUMIDITY / TEMPERATURE TRANSMITTER



HAHTRC SERIES

PRODUCT DESCRIPTION

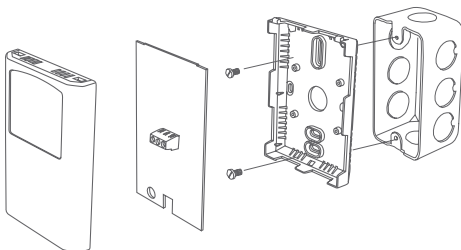
The HAHTRC series uses highly accurate and reliable thermoset polymer based capacitance humidity sensor and curve matched thermistor together with state-of-the-art digital linearization and temperature compensated circuitry in an attractive, low profile enclosure to monitor room humidity & temperature levels. Options include manual override, communication jack & fan speed switch.

TYPICAL INSTALLATION

For complete installation and wiring details, please refer to the product installation instructions.

The HAHTRC series can be mounted directly to a single gang electrical box or directly to a wall. Insulating foam is adhered to the back of the enclosure to provide a thermal barrier from wall temperatures.

A terminal block connection is provided for connection to the Building Automation System.

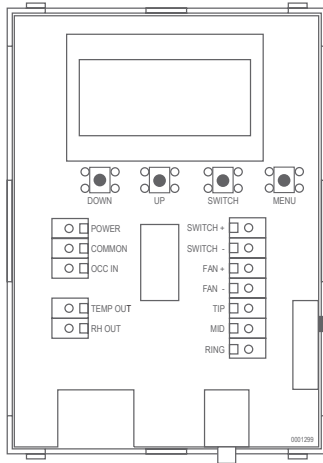


SPECIFICATIONS

TEMPERATURE	Accuracy: $\pm 0.1^{\circ}\text{C}$ ($\pm 0.18^{\circ}\text{F}$) Range: 0 to 35°C (32 to 95°F) or 0 to 50°C (32 to 122°F), programmable Offset: $\pm 5.0^{\circ}\text{C}$ ($\pm 9.0^{\circ}\text{F}$) programmable Display Units: $^{\circ}\text{C}$ or $^{\circ}\text{F}$ programmable Display Resolution: $0.1^{\circ} < 100^{\circ}$, $1^{\circ} > 100^{\circ}$
HUMIDITY	RH Sensor: Thermoset polymer based capacitive Accuracy: $\pm 1\%$ RH (30 to 70 %RH) $\pm 2\%$ (5 to 95 %RH) Range: 0 to 100 %RH non-condensing Temperature Compensation: 0 to 50°C (32 to 122°F) Hysteresis: $\pm 3\%$ RH Response Time: 15 seconds typical Stability: $\pm 1.2\%$ RH typical @ 50 %RH in 5 years Offset: $\pm 20\%$ RH, programmable
POWER SUPPLY	24 Vac/dc $\pm 10\%$ (non-isolated half-wave rectified)
CONSUMPTION	60 mA max @ 24 Vdc
INPUT VOLTAGE EFFECT	Negligible over specified operating range
PROTECTION CIRCUITRY	Reverse voltage protected and output limited
OUTPUT SIGNAL	4-20 mA active (sourcing), 0-5 Vdc or 0-10 Vdc (specify when ordering)
OUTPUT RESOLUTION	10 bit for all signals
OUTPUT DRIVE @ 24 VDC	Current: 550 Ω maximum Voltage: 10K Ω minimum
PROGRAMMING/SELECTION	Via internal push buttons and on-screen menu
OPERATING CONDITIONS	0 to 50°C (32 to 122°F), 0 to 95 %RH non-condensing
WIRING CONNECTIONS	Screw terminal block (14 to 22 AWG)
ENCLOSURE	White ABS - IP30 (NEMA 1) 84mm W x 119mm H x 29mm D (3.3" x 4.7" x 1.15")
OPTIONAL LCD DISPLAY	Range: 00.0 to 99.9, 3 digit Symbols: $^{\circ}\text{C}$, $^{\circ}\text{F}$ %RH, OCC Display Size: 38.1mm x 16.5mm (1.5" x 0.65") Digit Height: 11.43mm (0.45") Backlight: Enable/disable via menu
OPTIONAL OVERRIDE	Type: Front panel, momentary push button, 2 wire dry contact Switch Ratings: N.O., SPST, 50 mA @ 12 Vdc
OPTIONAL OCCUPIED INPUT (INCLUDED WITH OVERRIDE OPTION)	Type: Digital input, 0-5 Vdc or dry contact to common Logic: Active low or active high, programmable Action: Causes "OCC" segment to light in display
OPTIONAL FAN SPEED SWITCH	Type: Side panel mount, 5 position switch Range: Off, Auto, Low, Medium, High Signal: Resistance: 0, 2, 4, 6, 8 K Ω , 2 wire output (custom ranges available)
OPTIONAL NETWORK COMMUNICATIONS	3.5mm Phono Jack: Ring/Mid/Tip connections to a 3 pin terminal block
COUNTRY OF ORIGIN	Canada



WIRING INFORMATION



TERMINAL	FUNCTION
PWR	+24 Vdc/ac
COM	Common
OCC IN	Digital Input
TEMP OUT	Analog Output
RH OUT	Analog Output
SWITCH +	Digital Output
SWITCH -	Digital Output
TIP	Digital Input
MID	Digital Input
RING	Digital Input

ORDERING

PRODUCT	HAHTRC	High Accuracy Room Humidity/Temperature Transmitter
RH ACCURACY	1 2	1% 2%
LCD DISPLAY	N L	Concealed Viewable
OUTPUT	I V	4-20 mA 0-5 Vdc or 0-10 Vdc (menu selectable)
OPTIONS (MULTIPLE SELECTIONS CAN BE MADE)	S J F	Override switch (includes occupied input) Communication jack (3.5 mm phono) Fan speed switch

PART NUMBER

HAHTRC

NOTE: Greystone Energy Systems, Inc. reserves the right to make design modifications without prior notice.